

# 88Series In Line Filters

Rated for applications up to 30,000 PSI and flows up to 7.5 GPM

Follow table to table to configure the part number for the assembly or replacement element you wish to order.

## Assembly Code

### Housing Material

Code	Description
G	316 Stainless
S	303 Stainless

### Fitting Size

Code	Pipe	Tube
1	1/8"	-
2	1/4"	1/8"
3	3/8"	3/16"
4	1/2"	1/4"
6	-	3/8"
8	-	1/2"

### Fitting Type

Code	Description
B	Female o-ring (AS5202)
D	Male o-ring
M	Male NPT
P	Female NPT
C	Compression fitting
T	37° Flare/J Fitting (AS4395)

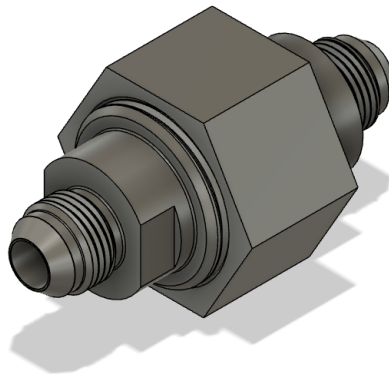
### Micron Rating

#### Wire Mesh

Code	Nom.	Abs.
10W	2	10
18W	5	18
25W	10	25
40W	20	40
75W	40	75
100W	75	100
150W	100	150
300W	200	300

#### Sintered

Code	Nom.	Abs.
1PM	.05	.2
2PM	.2	.7
3PM	.3	2
4PM	.8	5



### Optional External O-Ring

Code	Description
N	Nitrile (Buna)
V	Viton

Note: O-ring is used for male o-ring end fittings. Omit if o-ring is not required.

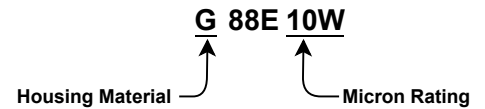
### Internal O-Ring

Code	Description
N	Nitrile (Buna)
V	Viton
T	Teflon
E	EPR

## Specifications

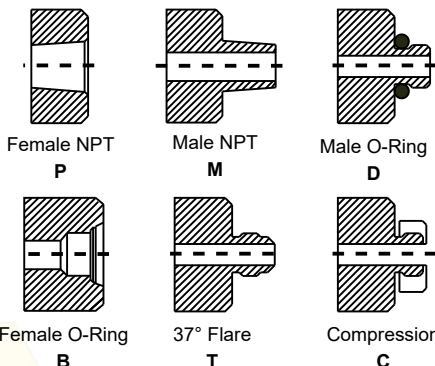
- Ports: 1/8" to 1/2" various port option
- Flow: Up to 5 GP
- 6,000 PSI Rate

## Replacement Element



Note: Refer to the respective tables to configure the correct element part number.

## End Fittings



Note: The Female o-ring (B) is machined to standard AS5202 (MS33649). 37° Flare/ J-fitting (T) is machined to AS4395 (MS33656)

